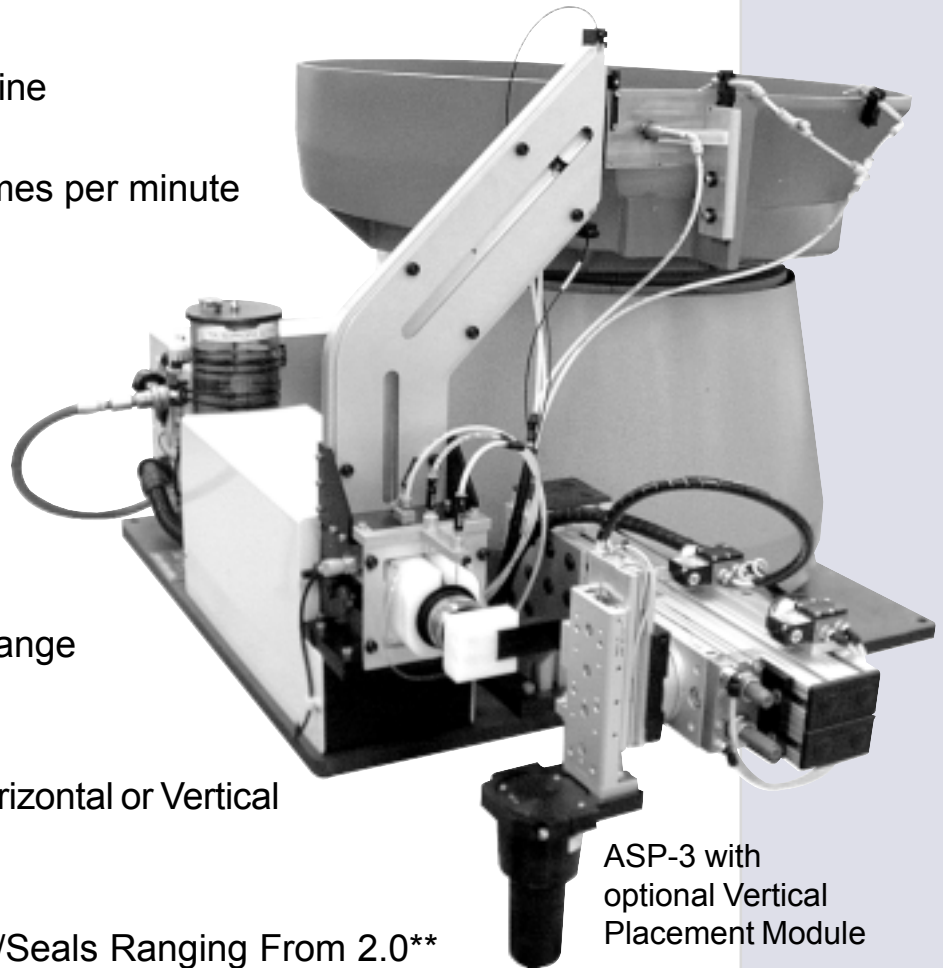




ASP-3 O-Ring Installation Machine

Now there is a faster, more accurate way to install large O-Rings/Seals onto components and assemblies. With the ASP-3, O-Rings/Seals between 2" and 3" are fed from a vibratory feeder bowl, down a feedtrack, and placed onto an installation mandrel. An operator places the component into the mandrel and, with a light push, automatically installs an O-Ring/Seal.

- Benchtop Mounted Machine
- Cycle Rates Up to 30 Times per minute (1,800 per hour)
- Digital and Resettable Counter
- Right-hand or Left-hand Configuration
- Simple Tooling Head Change (Less than 10 minutes)
- Adaptable for use with Horizontal or Vertical Applications
- Accommodates O-Rings/Seals Ranging From 2.0** to 3.0" Outside Diameter*



ASP-3 with optional Vertical Placement Module

* Dependent upon ratio of cross section to outside diameter and O-Ring material.

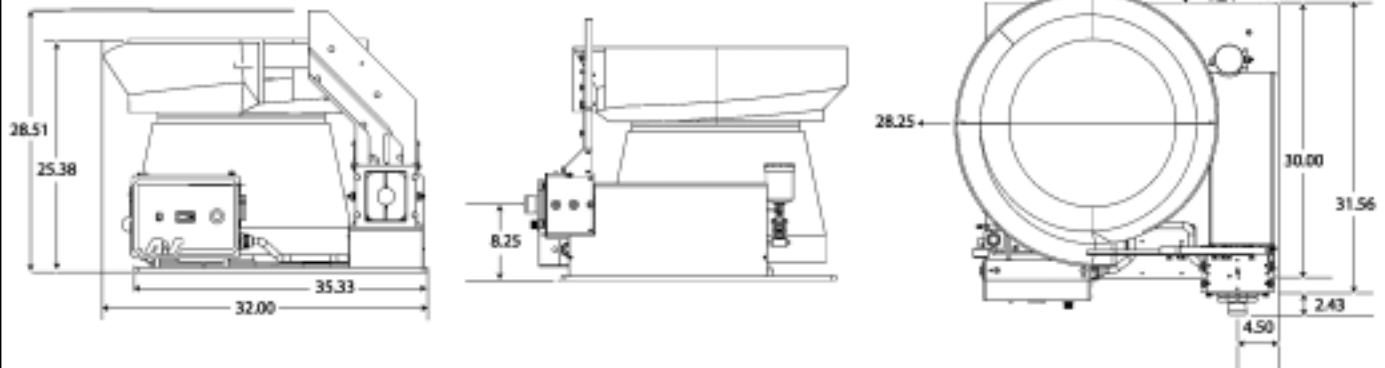
** For applications with O-Rings smaller than 2.0" O.D., see our ASP-1 and ASP-2 machines.

Automated Industrial Systems Inc.

4238 W. 12th Street • Erie, PA 16505

Phone: (814) 838-2270 • Fax: (814) 833-5661 • E-mail: info@asporing.com • website: www.asporing.com

Standard ASP-3 Dimensions



Machine Specifications

115 VAC, 60 Hz. (Other voltages available on request.)
90 psi (6.205 bar) air supply.

Applications

- O-Rings
- Cup Rings
- Split Seals
- Back-Up Rings
- Quad Rings
- Teflon® Seals

ASP-3 Options

Low Lube Reservoir Sensor - Shuts down the ASP-3 when lubricant reservoir needs refilling.

O-Ring Detection - A sensor checks for the presence of an O-Ring on the mandrel with each cycle of the machine. If an O-Ring is not present, a warning light will be turned on and the machine may be shut down if desired.

O.D. Lubricator - Applies lubrication to the outside diameter of the O-Ring.

Stainless Steel

For more information or a quote contact:



**Automated
Industrial
Systems Inc.**

4238 W. 12th Street
Erie, PA 16505
Phone: (814) 838-2270
Fax: (814) 833-5661
E-mail: info@asporing.com
Website: www.asporing.com